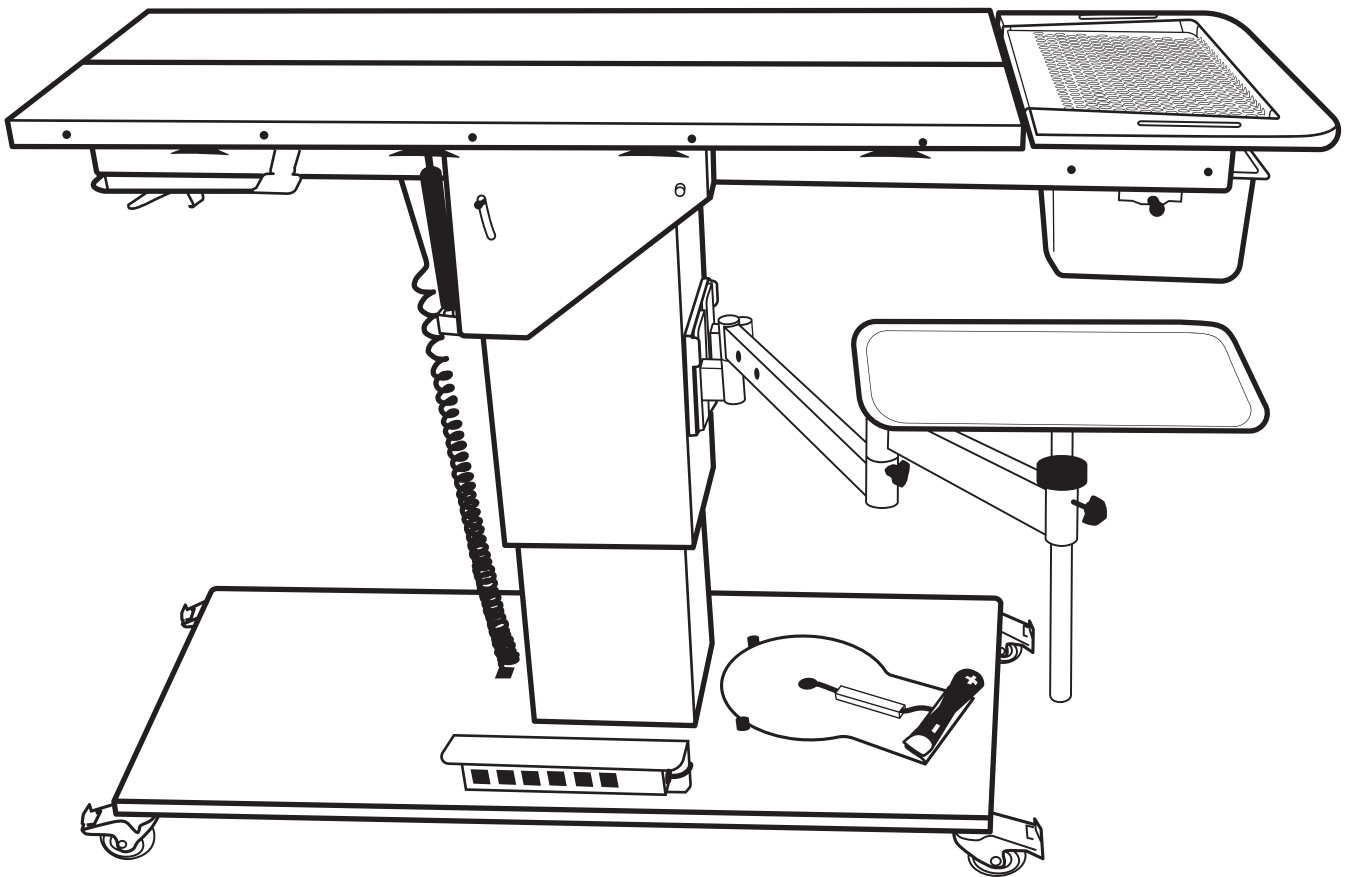


Operator's Manual

Olympic Advanced Dental Table

Model 50910, 50915, 50917, 50920, 50925, 50927

Serial #: _____



About this Manual

This manual contains information on the setup, use and upkeep of the Olympic Advanced Dental Table™. It should be read in its entirety before first use to assure safe operation and optimal performance.

This Olympic Advanced Dental Table™ has a serial number you will need to reference when seeking technical support. This serial number as well as safety information can be found on the Product Identification Label located on the front of the central lift column. An additional safety label can be found on the Thermal Heating Control Panel (if equipped with Olympic Thermo-Safe™ Warming System).

Table of Contents

Component Identification.....	3
Introduction	4
Safety	4
Unpacking and Setup	5
Assembly.....	5
Customization	6
Accessory Options	6
Column Socket Adjustment.....	6
Operation	7
Loading/Unloading Patients	7
Table Height Adjustment.....	7
Patient Tie-down Cleats	7
V-Top Dorsal Positioning Adjustment	7
Trendelenberg Table Tilt Adjustment	8
Olympic Thermo-Safe™ Warming System Operation (<i>if applicable</i>)	8
On/Off Control	8
Intended Use.....	8
Adjusting Temperature.....	8
Power	9
Moving the Dental Table	9
Cleaning Between Procedures	9
Cleaning the Cleaning Channel	9
Removing the Fluid Collection Pan for Cleaning	9
Maintenance.....	10
Specifications.....	10
Ordering Information	10
Optional Accessories.....	10
Summary of Precautions	11
Warranty.....	12
Contact Us	12

List of Figures

Figure 1: Component Identification.....	3
Figure 2: Unpacking Instructions	5
Figure 3: Column Socket Adjustment Instructions	6

Component Identification

The following illustration demonstrates the key components of the Olympic Advanced Dental Table™.

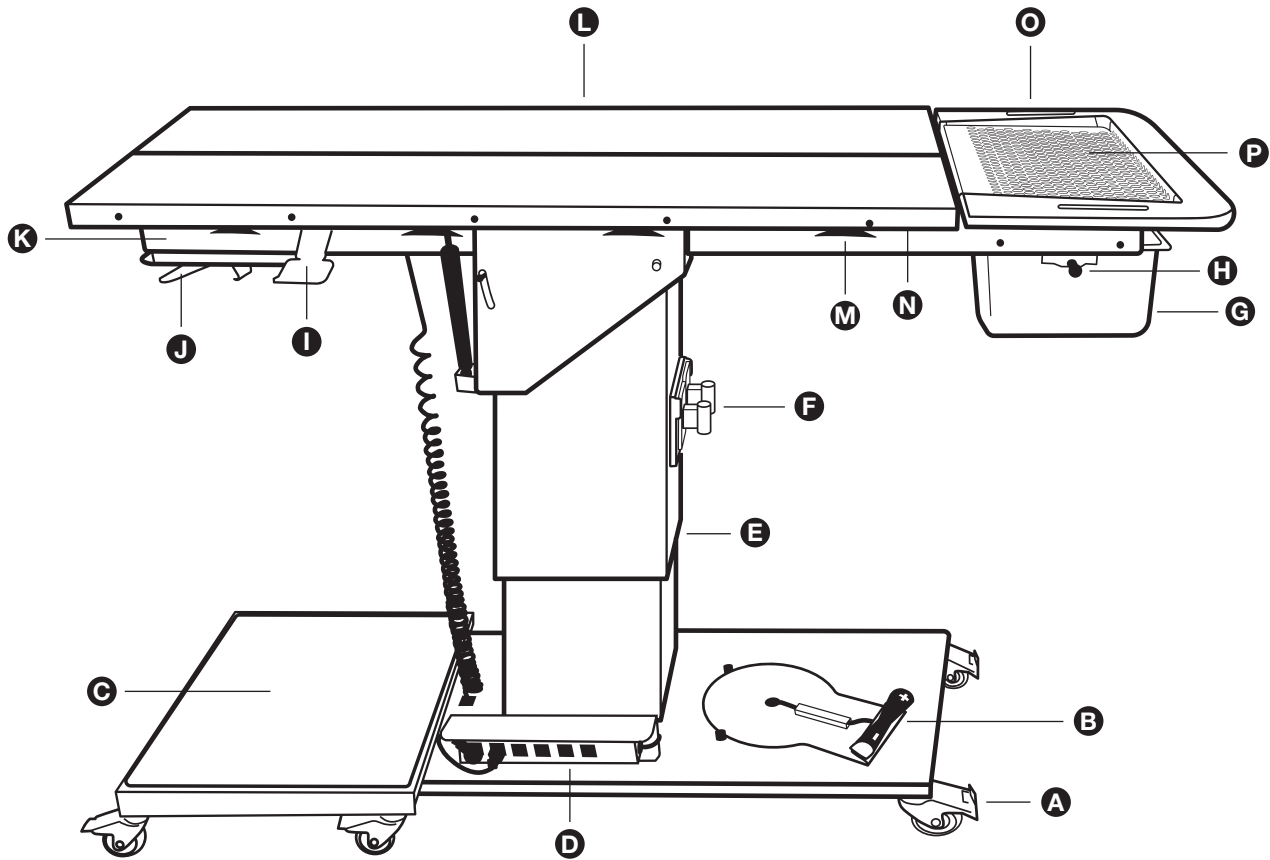


Figure 1

Item	Description
A	Hospital-Grade Casters
B	Swiveling Height Adjustment Foot Switch
C	Compressor Cart (<i>optional</i>)
D	Integrated Multi-Outlet Power Strip
E	Smooth-Action Lift Column
F	Adjustable sockets on Column for Swing Arms
G	Stainless Steel Fluid Collection Pan
H	Fluid Collection Pan Pull-Pin Knob
I	V-Top Adjustment Lever
J	Table Tilt Adjustment Lever
K	Thermo-Safe™ Heating Control Panel (<i>optional</i>)
L	Stainless Steel V-Top Panels
M	Tie-Down Cleats
N	Cleaning Channel
O	Head Support
P	Dental Drain Screen

Introduction

The Olympic Advanced Dental Table™ provides a complete solution for the modern dental suite, integrating up to 6 pieces of essential equipment on a height-adjustable center column for greater convenience, efficiency and ergonomic comfort.

The table offers height adjustment from a comfortable 32" to an extra tall 44". The tabletop can be tilted forward from horizontal to a 10° angle, and each tabletop panel can be tilted up to a 45° angle for dorsal positioning.

The Olympic Advanced Dental Table™ includes two sockets on the central column designed to hold Olympic Swing Arms. Each Standard Swing Arm includes two sockets that can accommodate most anesthesia machines and dental units (with special adapters available through Olympic) or Olympic drop-in accessories including a height-adjustable Instrument Tray, a Laptop/Patient Monitor Tray, an LED Procedure Light and an IV Pole. A Socket Extender/Doubler can be dropped into any socket to provide a third mounting location.

The Olympic Advanced Dental Table™ features a complete, self-contained drainage system, which collects all the fluids from the table in a removable drain pan. The Olympic Sterile-Max™ Fluid Collection System allows for easy and complete cleaning between procedures without removing any parts.

The Olympic Advanced Dental Table™ is available with or without the Olympic Thermo-Safe™ Warming System.

Safety

Please read and follow the instructions in this manual, including all safety instructions and precautions, carefully and completely. The following safety notices are used throughout this manual:

Equipment Alert: Indicates a potentially hazardous situation which could result in equipment damage if not avoided.

Caution: Indicates a potentially hazardous situation which could result in minor or moderate injury if not avoided.

! WARNING !

Indicates a hazardous condition which could result in serious injury if not avoided.

The user should be aware that the Olympic Advanced Dental Table™ is a powerful machine with moving parts capable of causing injury if proper precautions are not taken. The lift is raised and lowered by means of an electrical actuator, and care must be taken to assure that hands, feet and other body parts are not in the path of the lift mechanism.

For a summary of all precautions, please see page 11.

Unpacking and Setup

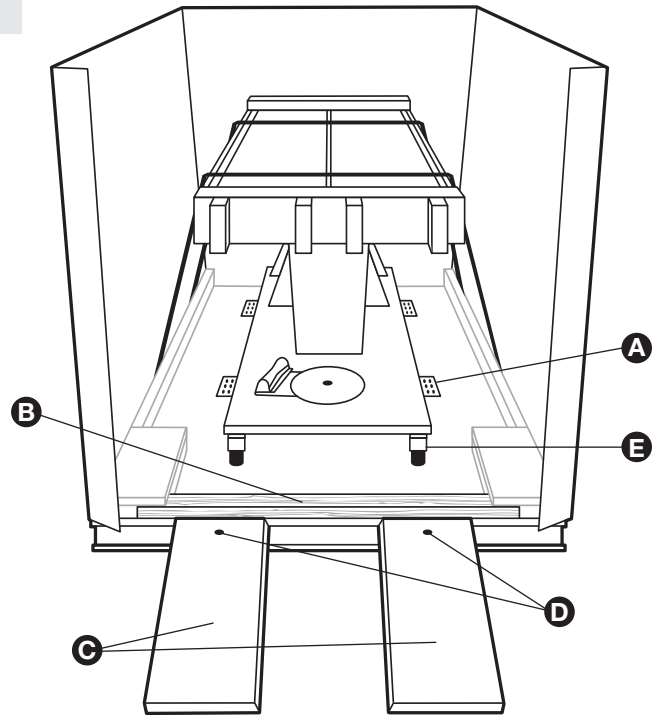
Equipment Alert: Do not lift the table by grasping the tabletop as this can result in permanent damage to the unit.

If you suspect concealed shipping damage, please save all packaging and contact Olympic Veterinary immediately at 1-800-789-6867. Send photos and description to service@olyvet.com.

Use Figure 2 for reference in unpacking the Olympic Advanced Dental Table™.

1. Move the pallet to a level location as close as possible to the intended installation site.
2. Remove the shrink wrap and the cardboard lid, then completely peel off the cardboard shroud. The wood frame can be removed by loosening the #2 Phillips-head screws securing it to the pallet.
3. If your table was ordered with accessories such as swing arms, an instrument tray, etc., you will find a corrugated accessory box strapped to the top of your table. Remove this carton and set it aside until the table has been rolled to its destination. You may find an additional accessory carton attached to the top of the outer box.
4. The table is bolted to the floor of the pallet with 4 L-shaped brackets **A**, each secured by 2 hex head screws. Remove all screws using the included Hex Head Wrench.
5. Remove the 2x4 retaining board **B** from the floor of the pallet by unscrewing the 2 Phillips-head screws.
6. Position the two included wood ramps **C** in front of the Dental Table so that the protruding pin **D** at the end of each ramp drops into the matching hole in the floor of the pallet. Test ramps to assure they are securely attached.
7. Unlock all 4 casters **E** and then slowly lower the table down the ramp until it is on level ground. It can now be rolled to its final destination.
8. Unpack the provided components and purchased accessories.

Figure 2



Assembly

1. Slide the Stainless Steel Fluid Collection Pan **G** (Fig. 1) onto the track beneath the funnel-shaped portion of the Head Support **O**. When fully engaged, the black pull knob on the right side of the Drain Pan will snap into place automatically.
2. Place the Dental Screen **P** (Fig. 1) on top of the Head Support **O**.
3. Plug the 15-foot power cord into any grounded wall socket and the lift table and warming functions will be ready for use. The table draws a maximum power of 3.5 Amps and does not require a dedicated line.

Customization

The Olympic Advanced Dental Table™ enables you to create a custom “Dental Cockpit” for the veterinarian and technician. There is no right or wrong way to configure the accessories on your table. The tool-free design makes it easy to switch out components throughout the day to meet changing procedural needs. For a list of all available Olympic accessories, see “Ordering Information” on page 10.

Caution: Take care to assure that operator's hands, feet and other body parts are clear of the area where the lift column and swing arms travel when the lift column is being operated or tilt function is being used.

! WARNING !

Maximum load per swing arm is 60lbs. Retract all swing arms before moving table. Moving across uneven surfaces requires 2 operators.

1. Install 2 Standard Swing Arms in the sockets on the central column. Each Swing Arm includes 2 sockets. If desired, add up to one additional socket to each arm using an Olympic 10" Socket Doubler/Extender.
2. Install any combination of Olympic accessories to create a convenient and comfortable work environment. The Olympic Laptop/Monitor Tray and Instrument Tray can be adjusted for height by loosening the thumbscrew on the locking donut, sliding the unit up or down to the desired height, and retightening the thumbscrew on the locking donut (see the respective accessory manual included in accessory box for demonstration).
3. Your preferred anesthesia and dental machine can be mounted to a swing arm by using an Olympic anesthesia or dental unit adapter. For a list of all available Olympic anesthesia and dental unit adapters, see “Ordering Information” on page 10.

Accessory Options

The Olympic Advanced Dental Table™ provides a universal platform for creating a custom Dental Suite. Each of the 2 sockets on the central column will accept an Olympic Standard Swing Arm with 2 sockets each. An additional socket can be added using an 10" Socket Doubler/Extender. For a list of all available Olympic accessories, see “Ordering Information” on page 10.

Column Socket Adjustment

When a swing arm is heavily loaded, or if the table is placed on unlevel ground, it may be desirable to adjust the column socket mounts on your table's central column to level the accessories attached to the swing arms.

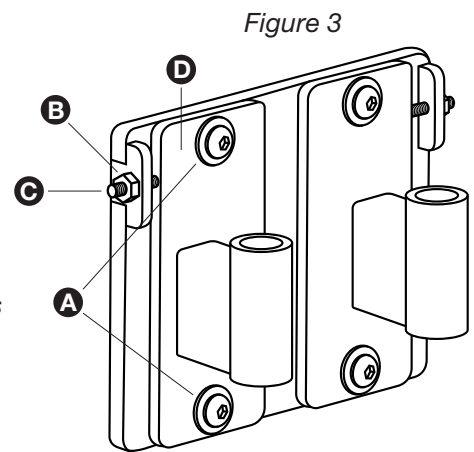
Use Figure 3 for reference when adjusting the column sockets.

Equipment Alert: Do not attempt to adjust the column sockets when loaded with swing arms or accessories.

1. Remove all accessories and swing arms from the column socket.
2. Loosen both top and bottom Button Head Screws **A** with a 3/16" hex key wrench. Loosen only enough to allow the Column Socket Plate **D** to shift when pushed firmly towards the center of the column.

*Note: the holes in the Column Socket Plate **D** that the Button Head Screws **A** screw into are oval. This allows the Column Socket Plate to tilt several degrees when the Button Head Screws are loosened.*

3. Loosen the Locknut **B** at least 1 turn.
4. Adjust the Set Screw **C** with a 1/8" hex key wrench, turning clockwise. This will press the Set Screw against the Column Socket Plate **D**.
5. Make sure the Column Socket Plate **D** is in contact with the Set Screw. When desired adjustment is reached, retighten the Locknut **B**.
6. Retighten the Button Head Screws **A** very securely with the hex wrench.
7. Test the new position by replacing the your swing arms and accessories. If more adjustment is needed, repeat above steps as necessary.



Operation

Loading/Unloading Patients

Caution: Do not load patients exceeding 250 pounds on the Dental Table.

! WARNING !

Be sure the Dental Table is located on a level surface and that all 4 casters are locked before loading or unloading patients.

The Olympic Advanced Dental Table™ is designed to facilitate the safe and easy transfer of patients to and from dental operations/procedures. Following is a recommended patient transfer protocol (Fig. 1):

1. Flatten the table by pressing and holding each of the V-Top Adjustment Levers **I** while firmly gripping the V-Top Panels **L**.
2. Adjust the Table Tilt to horizontal by pressing and holding the Table Tilt Adjustment Lever **J** while firmly gripping the panels **L**.
3. Raise or lower the tabletop to the desired height by pressing on the Foot Switch **B**.
4. Push the swing arms on one side of the table away from the center of the table to create an unobstructed patient loading zone.
5. Transport the patient from prep on a height-adjustable transport gurney such as the Olympic 2-in-1 Treatment Table™, Olympic 3-in-1 Treatment Table™ or Olympic Versa-Lift™. Position the gurney as close as possible to the Dental Table, minimizing any gap between the tables. Adjust height to match and lock all 4 casters.
6. Slide the patient across from the transport gurney to the Dental Table.
7. Follow similar procedure for moving patient to recovery after procedure.

Table Height Adjustment

The Foot Switch **B** is mounted on a swivel for easy access from either side, or from the front of the table. Simply move the swivel with your foot until the Foot Switch is directly in front of you, then step on the foot control to raise or lower the table.

The height of the Olympic Advanced Dental Table™ is infinitely adjustable from 32" to 44" and may be adjusted at any time during a procedure to provide maximum comfort to the operator or to provide better visualization or patient access.

Patient Tie-down Cleats

Mounted beneath each panel are 4 conveniently-located tie-down cleats **M** (Fig. 1).

Caution: Patient should be secured with tie-downs before tilting table downward to prevent patient from sliding.

V-Top Dorsal Positioning Adjustment

Each V-Top Panel can be adjusted independently from horizontal to 45°. Depress and hold the V-Top Adjustment Lever **I** (Fig. 1) while raising or lowering the panel. Releasing the lever will lock the panel in place.

The Olympic Advanced Dental Table™ is designed to offer the convenience of an integrated dorsal positioner without the cleaning issues typically associated with such tables (See "Cleaning Between Procedures" on Page 9).

Note: A gas strut provides a power assist when raising the panel. When lowering the panel, it provides gentle resistance to help prevent a sudden drop. When a V-Top Panel is lowered without a patient, the operator needs to apply a gentle downward force.

Trendelenburg Tilt Adjustment

The forward tilt of the Olympic Dental Table may be adjusted to any angle from horizontal to 10° by pressing and holding the Table Tilt Adjustment Lever **J** while lifting or lowering the end of the table closest to the lever. Releasing the lever will lock the table at the desired tilt angle.

Note: A gas strut provides a power assist when raising the panel. When lowering the top, it provides gentle resistance to help prevent a sudden drop. When a table top is lowered to horizontal without a patient on board, the operator needs to apply a gentle downward force.

Caution: Always maintain a firm grip on the V-Top Panel while depressing the V-Top Adjustment Lever.

Equipment Alert: To avoid damage to swing arms and any accessories mounted on the swing arms, assure that nothing is directly under the table top surface before adjusting tilt.

Caution: To prevent the table from tilting suddenly, always maintain a firm grip on the tabletop.

Olympic Thermo-Safe™ Warming System (Optional)

The Olympic Advanced Dental Table™ (Models 50920, 50925 and 50927) is available with the Olympic Thermo-Safe™ Warming System. This system provides controlled warming and a clear visual display for optimal patient comfort and thermal regulation, typically replacing the need for under-patient warming. The Olympic Thermo-Safe™ Warming System continuously monitors 6 thermostats on the table surface, temporarily withdrawing power whenever a temperature exceeds 100°.

On/Off Control

The Olympic Thermo-Safe™ Warming System is controlled by a single knob on the Thermal Heating Control Panel **N**. Turn clockwise until you hear a click and see visual confirmation on the LED display screen. Turn fully counterclockwise to turn off the system.

Intended Use

The Olympic Thermo-Safe™ Warming System may in some cases provide sufficient warming without a supplemental warming system (such as for shorter procedures or healthy patients). However, in most cases, it will provide gentle warming under the patient in conjunction with a blanket-based warming system such as a Bair Hugger™ or like products, replacing a circulating water system or HotDog®.

Adjusting Temperature

The same knob that turns on/off the Thermo-Safe™ Warming System controls the temperature. As the knob is turned clockwise, the target temperature of the tabletop surface is increased from 70°F to a maximum of 100°F.

As a practical guideline, most hospitals will set and maintain warming at Level 10, except when less warming is desirable for an induced patient.

*Note: The Control Panel is designed to display **Target Temperature Levels of 1 to 10** rather than the associated Target Temperatures of 70°F to 100°F. This is a safety feature designed to maintain continuous awareness that the Olympic Thermo-Safe™ Warming System is warming the table top surface and **not** providing precise control over the patient's core temperature.*

! WARNING !

The Thermo-safe™ Warming System is designed to deliver a maximum temperature of 100°F to the tabletop surface. Many factors can influence the patient's temperature including the ambient temperature in the room, the addition of insulating materials such as blankets and gels that can trap heat, the use of supplemental warming systems and the weight and overall health of the patient. Safe operation requires continuous monitoring of the patient's temperature.

Power

The Olympic Advanced Dental Table™ operates on 120V/60Hz line voltage and plugs into any standard wall outlet. A 5-port power strip with a 15' power cord is mounted on the end of the unit. The lift motor is permanently plugged into one of these ports. If your Olympic Advanced Dental Table™ has a warming system (optional) it occupies a second port. The remaining 4 ports (3 if warming system is present) are available as needed for an LED light and other accessories.

! WARNING !

To prevent electrical shock or short circuit, be sure to plug the power strip into the provided Ground Fault Circuit Interrupt (GFCI).

Moving the Dental Table

If at any time you wish to move the Advanced Dental Table, disconnect the Power Cord and unlock all four caster brakes. To unlock a caster, step on the brake release lever.

Caution: The Olympic Advanced Dental Table™ is heavy and requires at least two people to move it. Move the table slowly and carefully, especially over thresholds and uneven flooring.

Cleaning Between Procedures

Your Olympic Advanced Dental Table™ features the Olympic Sterile-Max™ Fluid Collection System, a collection of advanced cleaning features designed to reduce cleaning time between procedures and to help you achieve a higher level of sterility. Please refer to Figure 1 on page 3 for reference.

Cleaning the Cleaning Channel

The Cleaning Channel **N** located beneath the V-Top Panels **L** is a single, continuous, full-visibility fluid channel designed for ease of cleaning and sterility. There are no parts to remove. Simply raise the V-Top Panels to 45° each and tilt the table slightly forward. Insert a clean cloth or sponge in the space between the two V-Top Panels and wipe in a continuous motion towards the Fluid Collection Pan **G** to assure the two panels are completely cleared. Then, wipe the Cleaning Channel in a continuous motion towards the Fluid Collection Pan, inspecting closely to assure the surface has been completely cleaned.

Removing the Fluid Collection Pan for cleaning

To remove the Fluid Collection Pan **G**, pull the black Pull-Pin Knob **H** located on the right side of the Fluid Collection Pan and slide the pan forward.

To replace the Fluid Collection Pan, slide it back onto its track. The Pull-Pin Knob will automatically re-engage and lock the pan once the pan is aligned correctly. There are 2 pin positions. When the table is flat or moderately tilted forward, insert the pan fully to the second stop. When the table is tilted forward at a higher angle, lock the pin on the first stop. This will help assure that fluids do not cascade off the front of the table.

Stainless steel surfaces should be cleaned and dried between use to prevent iron deposit build up.

Equipment Alert:

- **Do Not** use high-concentration bleach to clean the Olympic Advanced Dental Table™. High-concentration, chlorine bleach disinfectants are known to damage some stainless steel (including that on the Dental Table).
- Hydrogen peroxide solutions are known to damage powder coated (painted) surfaces and should be strictly avoided.
- **Do Not** let any liquid enter the Lift Column, as liquid can damage the lift mechanism and electrical parts.
- **Do Not** let any liquid enter the heater control box (Model 50920, 50925 and 50927), as liquid can damage the electrical parts.

Maintenance

The Olympic Advanced Dental Table™ is designed to provide many years of trouble-free performance with minimal servicing. The sealed lift control system does not require any routine maintenance. Olympic recommends a thorough cleaning and inspection of all fasteners and visible pivot points annually.

For questions about the use or maintenance of the Olympic Advanced Dental Table™, please call 1-800-789-6768.

Specifications

Olympic Advanced Dental Table™ – Model 50910, 50915, 50917, 50920, 50925, 50927

Capacity: 250 pounds with centered load

V-Top adjustment range: zero to 45° (each side)

Table size: 21"W x 60.5"L Horizontal tilt – zero to 25°

Overall maximum dimensions: 21.5"W x 61.5"L x 44"H

Power: 120V/60Hz, 3.5 Amps; Warming: 24V DC (low voltage)

Height range: 30" to 44"

Weight: 275 pounds

Ordering Information

50910 – Olympic Advanced Dental Table™ **without** Warming System – Base Unit, includes two sockets on lift column for adding Swing Arms.

50915 – Olympic Advanced Dental Table™ **without** Warming System – Complete System, with 2 Swing Arms with 2 sockets for accessories on each arm. Includes 1 height-adjustable Instrument Tray, IV Pole, Olympic Ultra-Bright LED Procedure Light, and Laptop/Monitor Tray.

50917 – Olympic Advanced Dental Table™ **without** Warming System – Custom System A. Includes 2 Swing Arms with 2 sockets for accessories on each arm, 1 height-adjustable Instrument Tray, IV Pole, #50992 Anesthesia Adapter and #50993 Dental Adapter.

50920 – Olympic Advanced Dental Table™ **with** Warming System – Base Unit, includes two sockets on lift column for adding Swing Arms.

50925 – Olympic Advanced Dental Table™ **with** Warming System – Complete System, with 2 Swing Arms with 2 sockets for accessories on each arm. Includes 1 height-adjustable Instrument Tray, IV Pole, Olympic Ultra-Bright LED Procedure Light, and Laptop/Monitor Tray.

50927 – Olympic Advanced Dental Table™ **with** Warming System – Custom System B. Includes 2 Swing Arms with 2 sockets for accessories on each arm, 1 height-adjustable Instrument Tray, IV Pole, #50992 Anesthesia Adapter and #50993 Dental Adapter.

Optional Accessories

51086 – Olympic Swing Arm with 2 sockets for accessories

50996 – 10" Swing Arm Extension

50986 – Special use Swing Arm for mounting some brands of large anesthesia units (please inquire)

51087 – Instrument Tray 13" X 10", Height-adjustable

51884 – Instrument Tray 19" X 13", Height-adjustable

51081 – IV Pole

50988 – Laptop/Monitor Support Tray

50970 – Olympic Ultra-Bright LED Procedure Light

50971 – Olympic Advanced LED Procedure Light

50972 – Olympic Table-Mounted LED Surgical Light

50985 – Compressor Cart

50992 – Multi-purpose Anesthesia Adapter for common anesthesia units (Vetland VSA-2100-CP, Matrix VMS, Matrix VMS+ and Surgivet CDS 9000 [Note: Supera M2600 anesthesia unit comes with built-in adapter])

50998 – Multi-purpose Anesthesia Adapter for Eagle Eye Millenium and Matrix VME anesthesia units

50999 – Multi-purpose Anesthesia Adapter for Vetamac Dream and Vetamac Dream+

50993 – Multi-purpose Dental Adapter for Dentalaire DTP00603 and DTP00511

50994 – Multi-purpose Dental Adapter for iM3 GS Deluxe

50997 – Multi-purpose Dental Adapter for iM3 Elite and Pro 2000

Note: The Olympic Instrument Tray is attached to a height-adjustable platform with heavy-duty plastic Velcro® strips. These strips require significant force to attach. Push down firmly along the full length of each Velcro strip until fully seated. The tray can either be cleaned in place between procedures or can serve as a base for nesting additional trays.

Summary of Precautions

Equipment Alerts:

- **Do Not** lift the table by grasping the tabletop as this can result in permanent damage to the unit.
- To avoid damage to swing arms and any accessories mounted on swing arms, assure that nothing is directly under the table top surface before adjusting tilt.
- **Do Not** use high-concentration bleach to clean the Olympic Advanced Dental Table™. High-concentration, chlorine bleach disinfectants are known to damage some stainless steel (including that on the Advanced Dental Table).
- Hydrogen peroxide solutions are known to damage powder coated (painted) surfaces and should be strictly avoided.
- **Do Not** let any liquid enter the Lift Column, as liquid can damage the lift mechanism and electrical parts.
- **Do Not** let any liquid enter the heater control box (Model 51801 and 51802), as liquid can damage the electrical parts.

Cautions:

- Take care to assure that operator's hands, feet and other body parts are clear of the area where the lift column and swing arms travel when the lift column is being operated or tilt function is being used.
- **Do not** load patients exceeding 250 pounds on the Dental Table.
- Always maintain a firm grip on the V-Top Panel while depressing the V-Top Adjustment Lever.
- To prevent the table from tilting suddenly, always maintain a firm grip on the tabletop.
- Patient should be secured with tie-downs while tilting table downward to prevent patient from sliding.
- The Olympic Advanced Dental Table™ is heavy and requires at least two people to move it. Move the table slowly and carefully, especially over thresholds and uneven flooring.

! WARNING !

- Maximum load per swing arm is 60lbs. Retract all swing arms before moving table. Moving across uneven surfaces requires 2 operators.
- When using high frequency dental devices or catheters, use nonconductive material to insulate patient from metal surfaces of table.
- To prevent electrical shock or short circuit, be sure to plug the power strip into a Ground Fault Circuit Interrupt (GFCI) Adapter.
- The Olympic Thermo-Safe Warming System™ is designed to deliver a maximum temperature of 100°F to the tabletop surface. Many factors can influence the patient's temperature including the ambient temperature in the room, the addition of insulating materials such as blankets and gels that can trap heat, the use of supplemental warming systems and the weight and overall health of the patient. Safe operation requires continuous monitoring of the patient's temperature.

3-Year Unconditional Warranty

The Olympic Advanced Dental Table™ (Model 50910, 50915, 50917, 50920, 50925, 50927) is warranted for a period of three (3) years from the date of invoice.

Olympic Veterinary will elect to repair or replace a defective component without charge within the warranty period. In some cases, at Olympic Veterinary's sole discretion, it may be possible to provide the user with a repair kit, authorizing the user's technical staff to complete the repair.

This warranty is not valid for damage resulting from negligence, accident, unreasonable use, abuse or misuse, exceeding weigh limits or altering the product without prior Olympic Veterinary authorization.

Olympic Veterinary expressly disclaims and excludes any liability for consequential, incidental, indirect or punitive damages or financial loss to people or property resulting from any breach of warranty or from the improper operation of this equipment.

This limited warranty is provided to the original purchaser and is not transferable. This constitutes the complete and final agreement for Olympic Veterinary's Olympic Advanced Dental Table™ (Model 50910, 50915, 50917, 50920, 50925, 50927).

Contact Us

Olympic Veterinary Corporation, Customer Service

16040 Christensen Road, Suite 205
Tukwila, WA 98188

USA Phone: (800) 789-6867

International Phone: +1 (206) 722-3777

Fax: (800) 905-0839

Email: Service@OlyVet.com

NOTE: THIS IS NOT THE STREET ADDRESS TO BE USED FOR RMA RETURNS.

Detailed shipping instructions will be provided by customer service when a RMA is issued.