

# Olympic MRI-Conditional Gurney™

Model 50690

Serial #: \_\_\_\_\_

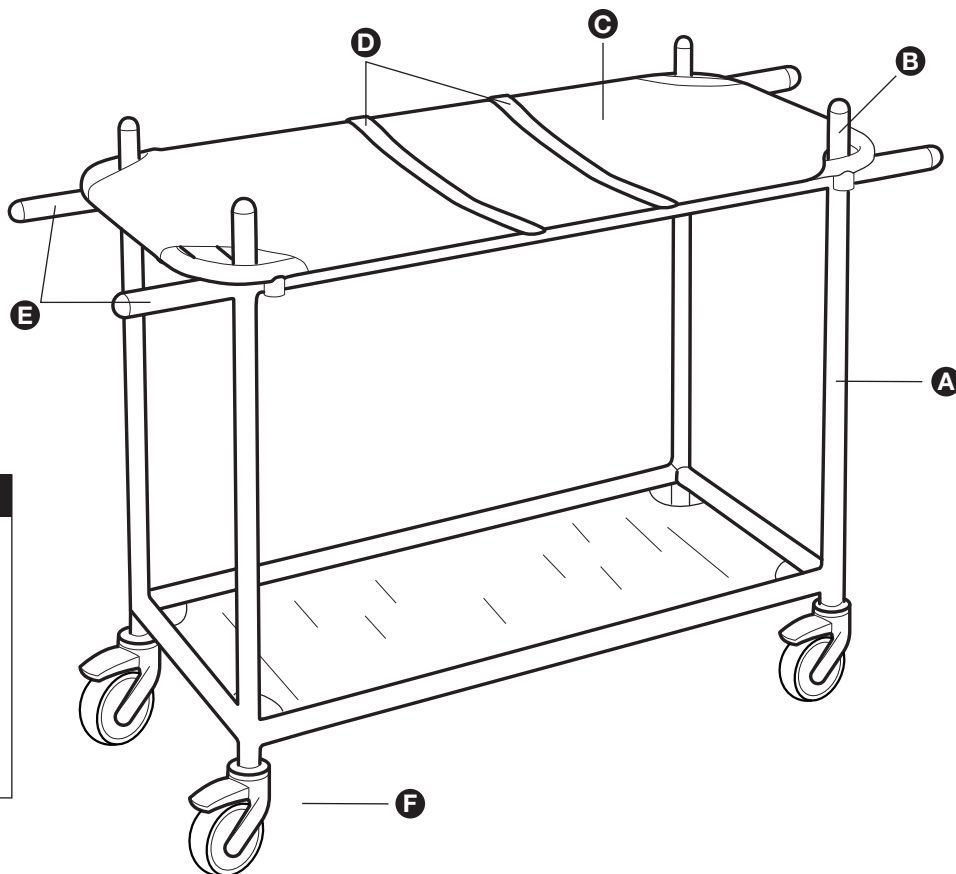


Figure 1

Item	Description
<b>A</b>	Non-Ferrous MRI-Conditional Gurney
<b>B</b>	Stretcher Posts (4)
<b>C</b>	Olympic stretcher (MRI-conditional)
<b>D</b>	Velcro™ straps
<b>E</b>	Push handles (4)
<b>F</b>	5" Locking Casters (MRI-conditional)

## Intended Use

Transporting small animals, weighing up to 250 lbs, in veterinary clinics and for brief outdoor use for emergency transport. It is non-ferrous and is rated for MRI-conditional scans. Push handles **E** on either end provide control when transporting the gurney. When necessary, strap patients to stretcher using the two Velcro™ Straps **D**.

## Lift-Off Stretcher Use

Place the four corners of the stretcher **C** over the four vertical posts **B** and lower the stretcher until it rests securely on the cart. Each post should extend about 2 inches above the Soft stretcher or flush with the top of the Hard-Top stretcher. To lift a stretcher with patient, two caregivers (one on each end) should lift the stretcher steadily and smoothly off the gurney until cleared of the four vertical posts.

## Locking Caster Use

To lock the casters **F**, step on the end of lever found on top of the caster. To release brake, place foot underneath the lever and lift up.

## Taking X-Rays with the Stretcher

The Olympic Soft Stretcher and Hard-Top Stretcher are radiolucent, sufficient for gross examinations. Simply place the stretcher with the patient secured on the X-ray table.

## Cleaning

Wipe stretcher and cart with ordinary hospital disinfectants. Avoid getting liquid on casters.

## Ordering Information

**50690** - Olympic MRI-Conditional Gurney complete with Soft and Hard-Top Stretchers.

**50680** - Olympic Soft Stretcher

**50685** - Olympic Hard-Top Stretcher

**50606** - Replacement soft stretcher cover

#### **Cautions:**

- Always lock casters when removing or replacing stretcher or patient.
- Always make sure that all four casters are unlocked before moving the gurney.
- Make sure all four feet on bottom of stretcher rest securely when setting on an X-ray table
- When pushing the cart always grip the Push Handles at either end to avoid tipping.
- Be careful not to tip cart when rolling over obstructions such as thresholds, electrical cords, uneven floors or when transporting outdoors.
- Never leave a patient unattended on the gurney.

#### **Equipment Alerts:**

- Maximum patient weight: 250 lbs
- Maximum storage shelf weight: 100 lbs

## **3-Year Unconditional Warranty**

The Olympic MRI-Conditional Gurney™ (Model 50690) is warranted for a period of three (3) years from the date of invoice.

Olympic Veterinary will elect to repair or replace a defective component without charge within the warranty period. In some cases, at Olympic Veterinary's sole discretion, it may be possible to provide the user with a repair kit, authorizing the user's technical staff to complete the repair.

This warranty is not valid for damage resulting from negligence, accident, unreasonable use, abuse or misuse, exceeding weigh limits or altering the product without prior Olympic Veterinary authorization.

Olympic Veterinary expressly disclaims and excludes any liability for consequential, incidental, indirect or punitive damages or financial loss to people or property resulting from any breach of warranty or from the improper operation of this equipment.

This limited warranty is provided to the original purchaser and is not transferable. This constitutes the complete and final agreement for Olympic Veterinary's Olympic MRI-Conditional Gurney™ (Model 50690).

## **Contact Us**

### **Olympic Veterinary Corporation, Customer Service**

16040 Christensen Road, Suite 205  
Tukwila, WA 98188

**USA Phone:** (800) 789-6867

**International Phone:** +1 (206) 722-3777

**Email:** Service@OlyVet.com

**NOTE: THIS IS NOT THE STREET ADDRESS TO BE USED FOR RMA RETURNS.**

Detailed shipping instructions will be provided by customer service when an RMA is issued.

OM-MRI-0618P-A